

TH240g product line

TH240g Vise grip

Opening: 0 - 24mm (depending on jaws)
Weight: 1.30 kg each grip (without jaws)

TH240g-S50 Vise grip

Opening: 0 - 50mm (depending on jaws)
Weight: 1.30 kg each grip (without jaws)

TH240g-S100 Vise grip

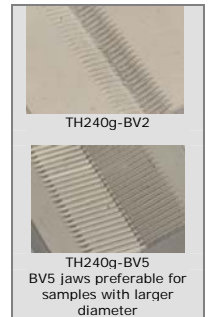
Opening: 10 - 100mm (depending on jaws)
Weight: 2.22kg each grip (without jaws)

- Tensile force: 5 kN
- Temperature range: 0°C - +180°C
Other temperature ranges possible on request
- Body: Aluminum, anodized
- Scope of delivery: 1 pair (without jaws)
- Also as pneumatic grip available
(see data sheet TH240g+Ko)



Jaws for TH240g: Scope of delivery 1 set = 4 jaws

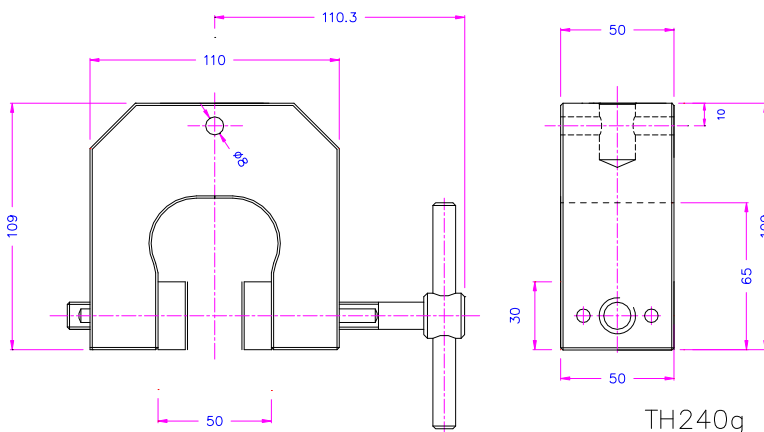
Item No.	Surface	Clamping surface H x W	Opening TH240g	Opening TH240g-S50	Opening TH240g-S100	Weight per pair
TH240g-B	Blank jaws	30x50mm	0-30mm	0-50mm	-	0.22kg
TH240g-BG	Rubber jaws	30x50mm	0-28mm	0-50mm	-	0.22kg
TH240g-BP	Pyramid jaws	30x50mm	0-30mm	0-50mm	-	0.21kg
TH240g-BV2	V-jaws	30x50mm	Ø 2-30mm	Ø 2-50mm	-	0.22kg
TH240g-BV5	V-jaws	30x50mm	Ø 5-30mm	Ø 5-50mm	-	0.25kg
TH240g-BW	Wave jaws	30x50mm	0-30mm	0-50mm	-	0.20kg
TH240g-BD	Diamond jaws	30x50mm	0-30mm	0-50mm	-	0.22kg
TH240g-B80	Blank jaws	30x80mm	0-26mm	0-48mm	10-100mm	0.43kg
TH240g-BG80	Rubber jaws	30x80mm	0-24mm	0-46mm	8-98mm	0.44kg
TH240g-BP80	Pyramid jaws	30x80mm	0-26mm	0-48mm	10-100mm	0.42kg
TH240g-BW80	Wave jaws	30x80mm	0-26mm	0-48mm	10-100mm	0.39kg
TH240g-BD80	Diamond jaws	30x80mm	0-26mm	0-48mm	10-100mm	0.43kg
TH240g-B100	Blank jaws	30x100mm	0-26mm	0-48mm	10-100mm	0.54kg
TH240g-BG100	Rubber jaws	30x100mm	0-24mm	0-46mm	8-98mm	0.55kg
TH240g-BP100	Pyramid jaws	30x100mm	0-26mm	0-48mm	10-100mm	0.53kg
TH240g-BW100	Wave jaws	30x100mm	0-26mm	0-48mm	10-100mm	0.51kg
TH240g-BD100	Diamond jaws	30x100mm	0-26mm	0-48mm	10-100mm	0.54kg



Inset jaws for TH240g: Scope of delivery 1 set = 4 jaws

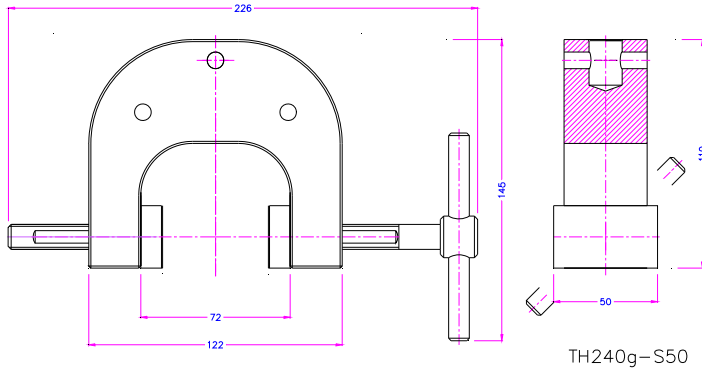
Quick change system - inset jaws require carriers (TH240g-GT)

Item No.	Surface	Clamping surface H x W	Opening TH240g	Opening TH240g-S50	Weight per pair
TH240g-GT	Carrier	-	-	-	0.18kg
TH240g-EB	Blank inset jaws	30 x 50mm	0 - 20mm	0 - 30mm	0.14kg
TH240g-EBG	Rubber inset jaws	30 x 50mm	0 - 18mm	0 - 30mm	0.14kg
TH240g-EBP	Pyramid inset jaws	30 x 50mm	0 - 20mm	0 - 30mm	0.13kg
TH240g-EBD	Diamond inset jaws	30 x 50mm	0 - 20mm	0 - 30mm	0.14kg

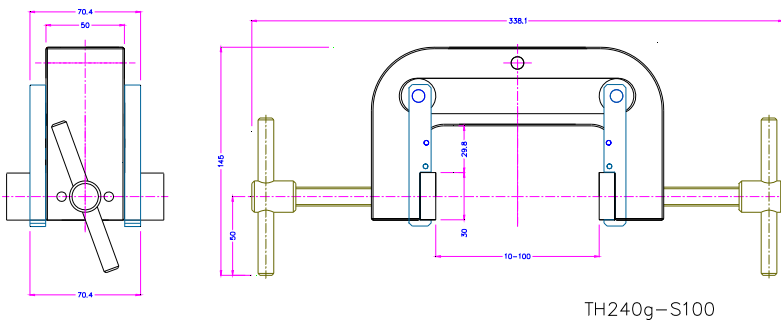
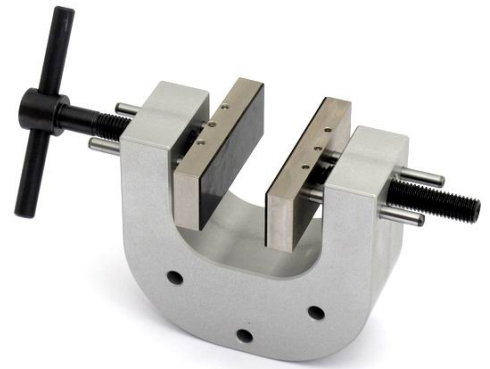


<p>Blank jaws</p> <ul style="list-style-type: none"> - Applicable for own further treatments - Steel blanks without coating <p>Rubber jaws</p> <ul style="list-style-type: none"> - 1mm rubber coating (NBR) - Nickel plated <p>Pyramid jaws</p> <ul style="list-style-type: none"> - Pyramids 1,2x45° - Hardened steel 58 HRC - Nickel plated <p>V-jaws</p> <ul style="list-style-type: none"> - For all kinds of round samples - Tooth pitch 1.2 mm - Hardened steel 58HRC - Nickel plated <p>Wave jaws</p> <ul style="list-style-type: none"> - For flexible materials - Wave 5 mm - Hardened steel 58HRC - Nickel plated <p>Diamond jaws</p> <ul style="list-style-type: none"> - Clamping surface coated with synthetic diamonds - Nickel plated 	
--	--

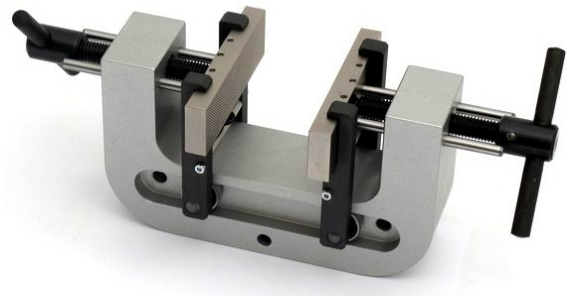
TH240g product line



TH240g-S50



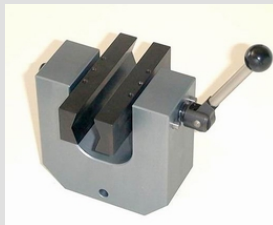
TH240g-S100



Examples of special construction designs



TH240g-S50+TH240g-BS12
Special jaws



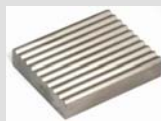
TH240g+EL+BV50x100
Quick release lever + Special jaws



TH240g-S70
Opening 0-70mm



TH240g-BG50x50
HxW 50x50mm



TH240g-BW50x60
HxW 50x60mm



TH240g-BVG
Rubber coated V-jaws

Pneumatic versions (see data sheet TH240g+ko)



TH240g+Ko+BP



TH240g+2Ko+BV